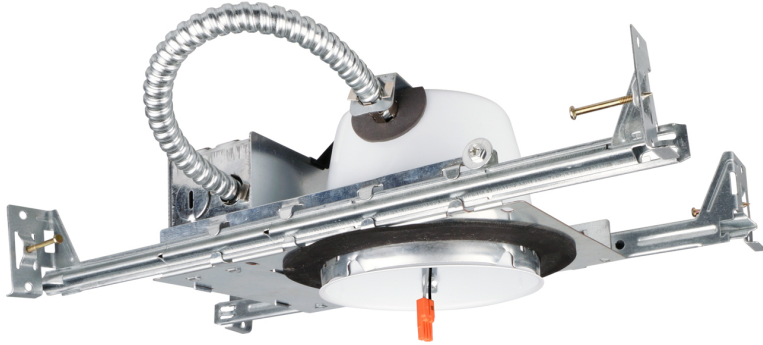
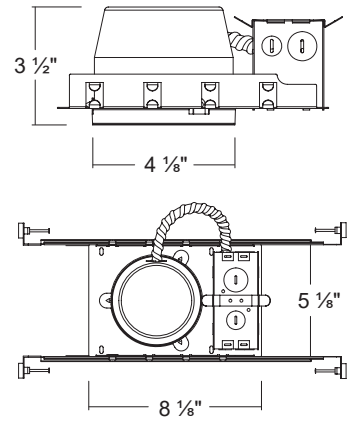


## LED400SICA / LED400SICA-01V

4" IC Air-Tight LED Dedicated Shallow New construction Housing



### Dimensions



## SPECIFICATION

### Plaster Frame

- Galvanized steel construction. The housing can be removed from plaster frame to provide access to the junction box

### Junction Box

- Listed for through branch circuit wiring
- Contains one 1-1/8", one 5/8", three 7/8" knockouts and four Romex pryouts with strain relief

### Bar Hanger

- Pre-installed Real nail easily installs in regular lumber, engineered lumber
- Bar Hangers are adjustable from 13-5/8" to 25" and can be repositioned 90 degree on plaster frame

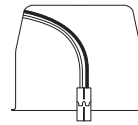
### Listings

- cULus Listed for Damp Location
- cULus Listed for Feed Through
- Certified under ASTM-E283 for Air tight construction

## CONNECTOR

### LED400SICA

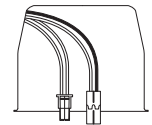
Triac Dimming Ver.



Ideal connector

### LED400SICA-01V

0-10V Dimming Ver.



Molex connector Ideal connector

## ORDERING INFORMATION

Model No.	Dimming	Description
LED400SICA	Triac Dimming	4" IC Air-Tight Dedicated Shallow New construction Housing
LED400SICA-01V	0-10V Dimming	4" IC Air-Tight Dedicated Shallow New construction Housing

## COMPATIBLE TRIMS

### LED400SICA

#### Model NO.

LRKT4XX Series  
LRKT4XX-3CCT Series  
LRKT4XX-5CCT Series

#### Description

4 inch LED All Retrofit kit Series  
4 inch Selectable 3 CCT LED All Retrofit kit Series  
4 inch Selectable 5 CCT LED All Retrofit kit Series

### LED400SICA-01V

#### Model NO.

LRKT4XX-5CCT-M Series

#### Description

4 inch Selectable 5 CCT LED All Retrofit kit Series